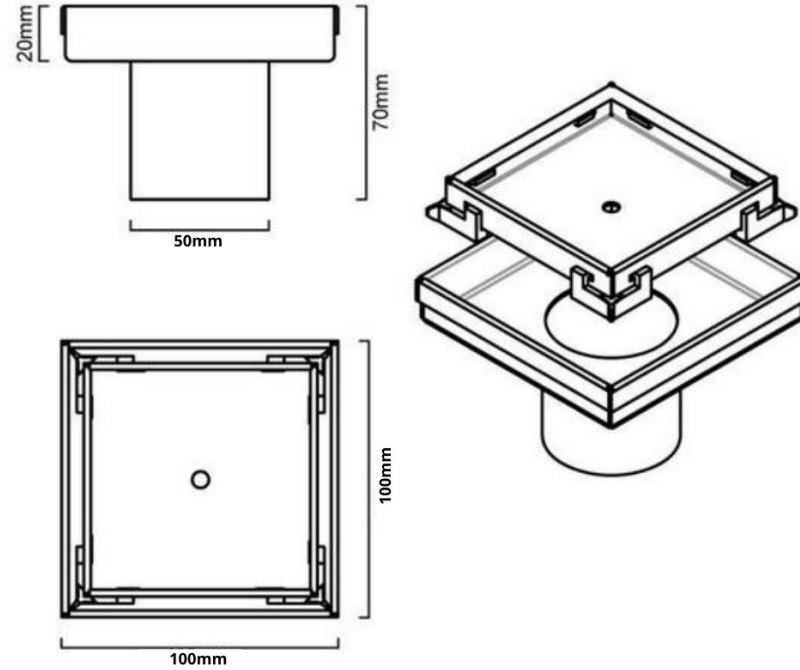
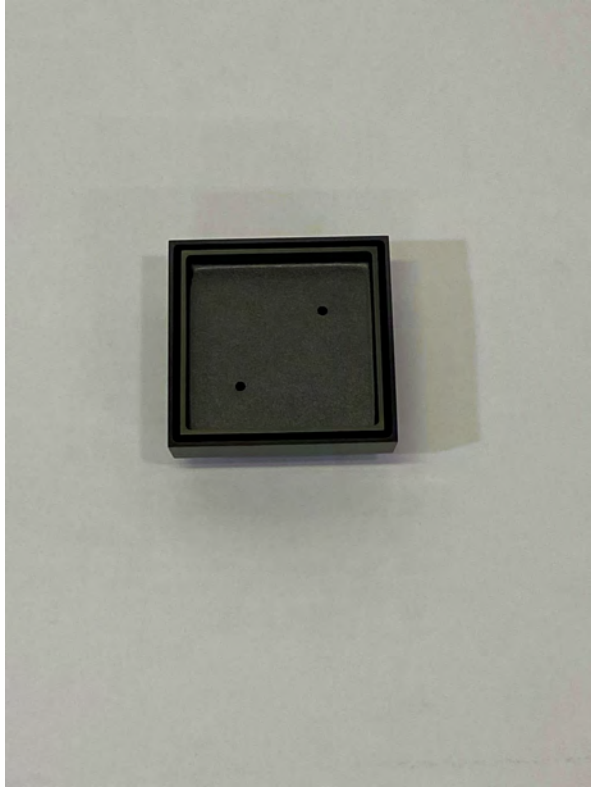


WSG50FSGM : TILE INSERT GRATE 100MM X 50 MM GUN METAL

WSG50FS: 100mm (L) x 100mm (W) x 50mm (D)



DIMENSION

100mm length x 100mm width x 50mm depth

DESCRIPTION

Gun Metal finish
Contemporary square tile insert gate
316 marine grade stainless steel
Watermark approved

WARRANTY

1 Year Replacement Warranty
Product replacement does not include installation or removal of the original product. Check product for damage before installation
installing a damaged product voids warranty.

IMPORTANT NOTICE

All pictures and drawings on this brochure are representational only, changes in the product may have occurred since time of print.
All prices on this brochure and The Sink Warehouse website are subject to change without notice.