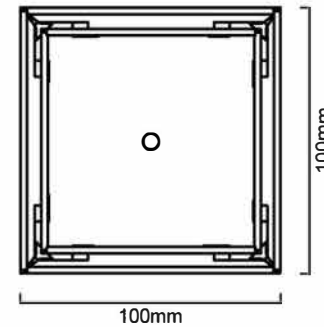
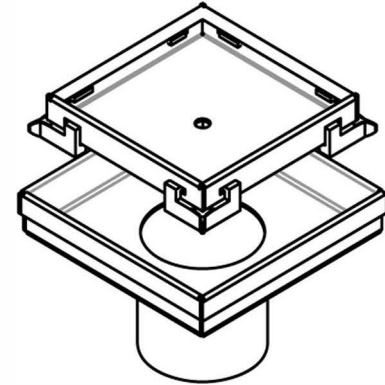
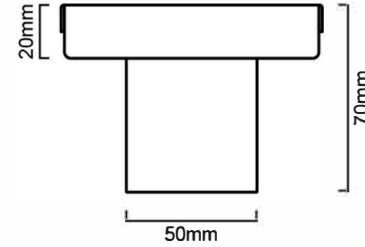


WSG50 : TILE INSERT GRATE 100MM X 50 MM

WSG50: 100mm x 100mm x 50mm

WSG50: 100mm x 100mm x 50mm



DIMENSION

100mm length x 100mm width x 50mm depth

DESCRIPTION

Contemporary square tile insert grate
316 marine grade stainless steel
Watermark approved

WARRANTY

1 Year Replacement Warranty
Product replacement does not include installation or removal of the original product. Check product for damage before installation - installing a damaged product voids warranty.

IMPORTANT NOTICE

All pictures and drawings on this brochure are representational only, changes in the product may have occurred since time of print.
All prices on this brochure and The Sink Warehouse website are subject to change without notice.