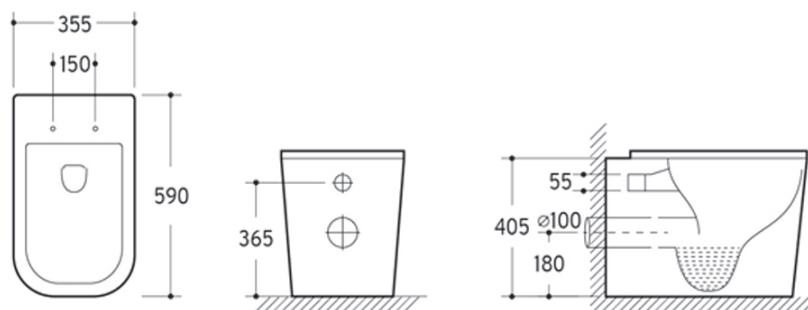


WCHAGUEBI: HAGUE - BACK INLET PAN



DIMENSIONS

Length: 590mm | Width: 335mm | Height: 405mm

DESCRIPTION

- Contemporary floor mounted back to wall pan
- 355mm long x 590mm deep x 405mm high
- S or P trap
- Water inlet: Back inlet only
- Heavy duty soft close seat with quick release for easy cleaning
- Combine with an in-wall cistern and round or square flush buttons for a modern, slimline look

WARRANTY

5 Year Replacement Warranty / 1 Year Parts & Labour / 1 Year Seat Replacement

- Product replacement does not include installation or removal of the original product
- Check product for damage before installation - installing a damaged product voids warranty

WELS

Litres Per Minute:	3.1L	Registration Code:	L02583
License Number:	1156	Star Rating:	4 Stars / 6 Stars

IMPORTANT NOTICE

- The dimensions of all ceramic products may vary from size guidelines due to material properties and the handmade manufacturing process.
- All pictures and drawings on this brochure are representational only, changes in the product may have occurred since time of print.
- All prices on this brochure and The Sink Warehouse website are subject to change without notice.

To contact The Sink Warehouse email us at info@sinkwarehouse.com.au