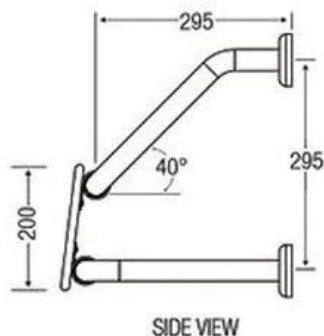
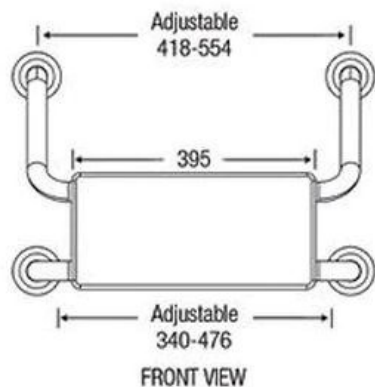


WCBR400 DISABLED TOILET BACKREST



DIMENSIONS

Length: 554mm | Height: 295mm | Width: 295mm

DESCRIPTION

- Backrest for disabled toilet suite
- Suitable for Special Needs /Ambulant use in domestic or commercial installation as well as aged and infirmed
- White rounded edge back support
- 50mm brass screw on HYGIENIC SEAL® flange covers
- Stainless steel fixings provided
- Complies with clause 15.2.4 AS1428.1-2009 for sanitary facilities

WARRANTY

5 Year Replacement Warranty / 1 Year Parts & Labour / 1 Year Seat Replacement

- Product replacement does not include installation or removal of the original product
- Check product for damage before installation - installing a damaged product voids warranty

IMPORTANT NOTICE

- The dimensions of all ceramic products may vary from size guidelines due to material properties and the handmade manufacturing process.
- All pictures and drawings on this brochure are representational only, changes in the product may have occurred since time of print.
- All prices on this brochure and The Sink Warehouse website are subject to change without notice.

To contact The Sink Warehouse email us at info@sinkwarehouse.com.au