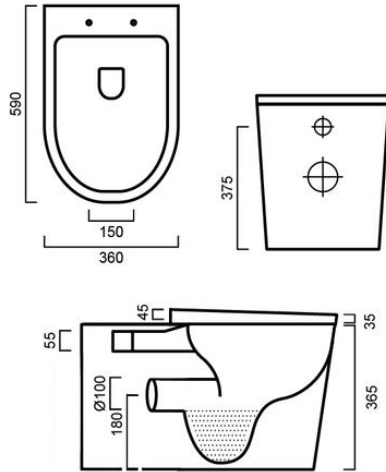


WCBERNWH BERN - WALL HUNG PAN

WCBERNBI: 360mm x 590mm x 400mm



All pictures and drawings are representational only, changes in the product may have occurred. Ceramic products may vary from size guidelines due to material properties and the handmade manufacturing process. It is strongly recommended that any cut-outs are made based on the individual product dimensions.

DIMENSIONS

Length: 550mm | Height: 370mm | Width: 360mm

DESCRIPTION

- Contemporary wall hung back to wall pan
- 360mm long x 550mm deep x 370mm high
- Heavy duty soft close seat with quick release for easy cleaning
- Combine with an in-wall cistern and round or square flush buttons for a modern, slimline look

WARRANTY

5 Year Replacement Warranty / 1 Year Parts & Labour / 1 Year Seat Replacement

- Product replacement does not include installation or removal of the original product
- Check product for damage before installation - installing a damaged product voids warranty

WELS

Litres Per Minute:	3.5L	Registration Code:	L02585
License Number:	1156	Star Rating:	4 Stars / 6 Stars

IMPORTANT NOTICE

- The dimensions of all ceramic products may vary from size guidelines due to material properties and the handmade manufacturing process.
- All pictures and drawings on this brochure are representational only, changes in the product may have occurred since time of print.
- All prices on this brochure and The Sink Warehouse website are subject to change without notice.

To contact The Sink Warehouse email us at info@sinkwarehouse.com.au