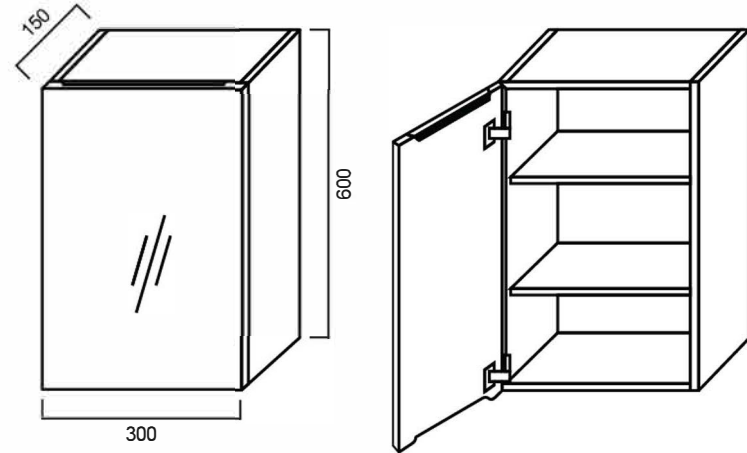


VSC300P : PENCIL-EDGED SHAVING CABINET 300mm

1800 000 000

VSC300P: 300mm x 150mm x 600mm



DIMENSION

300mm length x 600mm width x 150mm depth

DESCRIPTION

Single door shaving cabinet with pencil-edged mirror
White gloss finish, soft-close finger pull doors
Solid 16mm backboard
Polyurethane on high moisture resistant (HMR) board

WARRANTY

1 Year Replacement Warranty
Product replacement does not include installation or removal of the original product. Check product for damage before installation - installing a damaged product voids warranty.

IMPORTANT NOTICE

It is strongly recommended that any cut-outs made to your bench top is made based on the individual product dimensions.

All pictures and drawings on this brochure are representational only, changes in the product may have occurred since time of print.

All prices on this brochure and The Sink Warehouse website are subject to change without notice.

To contact The Sink Warehouse email us at info@sinkwarehouse.com.au