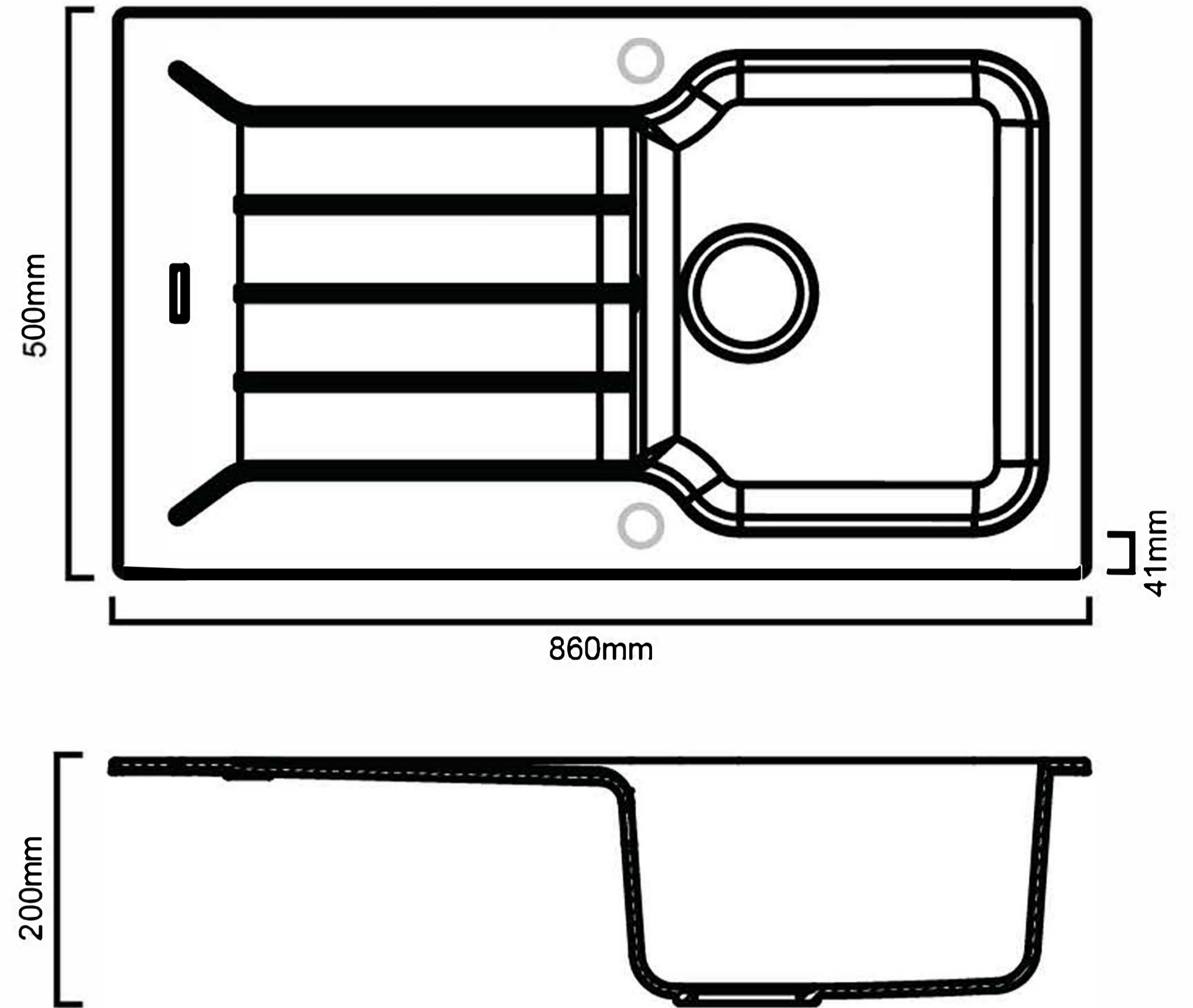


TRA100BL: TRAVIATA 100 - GRANITE SINK

TRA100BL/WH: 860mm x 500mm x 200mm



DIMENSIONS

Length: 860mm | Width: 500mm | Depth: 200mm

DESCRIPTION

- Contemporary large square bowl
- 860mm long x 500mm wide x 200mm deep
- Can be inset [STONEWARE](#)
- Constructed from Luisigranit:
 - Luisigranit is composed of quartz (the hardest element of granite), acryl (a high quality polymer) and colour pigment
- Its high quality materials and construction makes it heat resistant, scratch resistant, stain resistant and impact resistant
- The antibacterial properties create a highly hygienic surface
- The density of the Luisigranit stifles all sounds making for comfortable use
- Supplied with one 90mm basket wastes
- No overflow

WARRANTY

10 Year Replacement Warranty / 2 Years Parts & Labour

- Product replacement does not include installation or removal of the original product
- Check product for damage before installation - installing a damaged product voids warranty

IMPORTANT NOTICE

- It is strongly recommended that any cut-outs made to your bench top is made based on the individual product dimensions.
- All pictures and drawings on this brochure are representational only, changes in the product may have occurred since time of print.
- All prices on this brochure and The Sink Warehouse website are subject to change without notice.

To contact The Sink Warehouse email us at info@sinkwarehouse.com.au