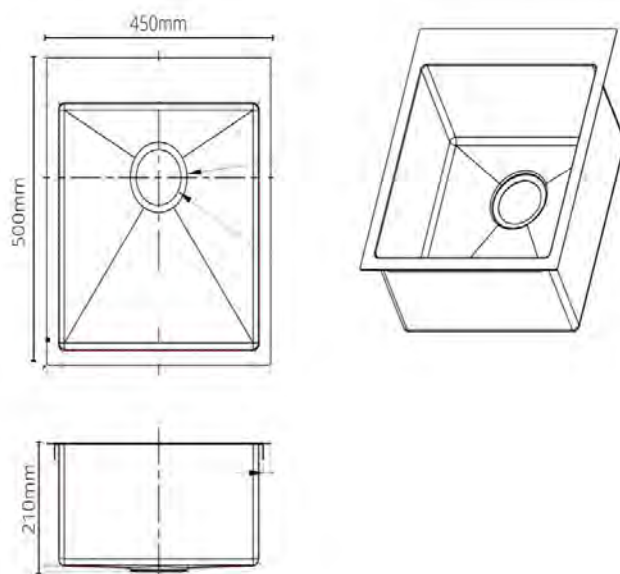


TECH85ND: TECH 85 NO DRAINER SINK



TECH85ND : 450mm (L) x 500mm (W) x 210mm (H)



DIMENSIONS

Length: 450mm | Width: 500mm | Depth: 210mm

DESCRIPTION

- Stainless steel handmade inset sink
- 450mm long x 500mm wide x 210mm deep
- Features single bowl without drainer for a high degree of comfort and functionality
- No drainer saves bench space
- Modern brushed finish
- Supplied with one 90mm basket waste
- Tap hole available

WARRANTY

25 Year Replacement Warranty / 2 Years Parts & Labour

- Product replacement does not include installation or removal of the original product
- Check product for damage before installation - installing a damaged product voids warranty

IMPORTANT NOTICE

- All stainless steel products are constructed from 304, 18/10 grade stainless steel.
- It is strongly recommended that any cut-outs made to your bench top is made based on the individual product dimensions.
- All pictures and drawings on this brochure are representational only, changes in the product may have occurred since time of print.
- All prices on this brochure and The Sink Warehouse website are subject to change without notice.