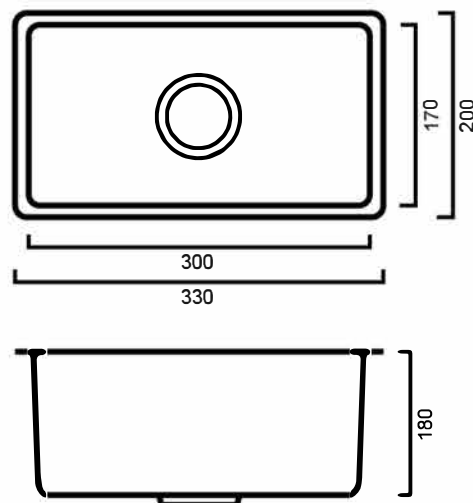


TECH30UGM: TECH 30 - GUN METAL UNDERMOUNT SINK

TECH30U: 200mm x 330mm x 180mm



DIMENSIONS

Length: 200mm | Width: 330mm | Depth: 180mm

DESCRIPTION

- Contemporary stainless steel handmade sink
- 200mm long x 330mm wide x 180mm deep
- Designed to be undermounted but can be inset
- Features a small bowl, perfect for a bar area
- Modern gun metal finish
- No drainer saves bench space
- Supplied with one 90mm basket waste

Gun Metal Sinks have a Stainless steel construction with PVD Gun Metal Finish. This stylish look is part of our newest flagship sink range giving you a premium look for your kitchen. We're incredibly excited about how they look and we can't wait to see this as the star of your kitchen. Blending style and practicality these have already started flying off our shelves so get in quick.

WARRANTY

25 Year Replacement Warranty / 2 Years Parts & Labour

- Product replacement does not include installation or removal of the original product
- Check product for damage before installation - installing a damaged product voids warranty

IMPORTANT NOTICE

- All stainless steel products are constructed from 304, 18/10 grade stainless steel.
- It is strongly recommended that any cut-outs made to your bench top is made based on the individual product dimensions.
- All pictures and drawings on this brochure are representational only, changes in the product may have occurred since time of print.
- All prices on this brochure and The Sink Warehouse website are subject to change without notice.

To contact The Sink Warehouse email us at info@sinkwarehouse.com.au