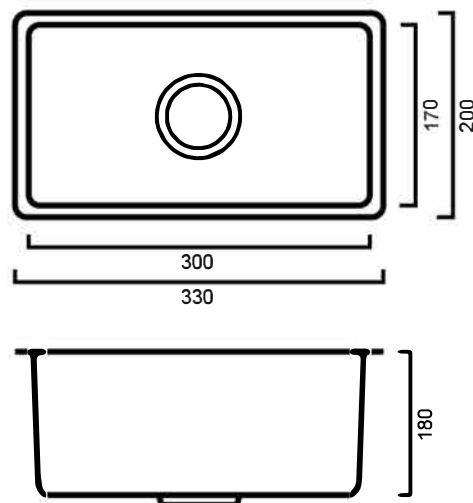


TECH30U: TECH 30 - UNDERMOUNT SINK

TECH30U: 200mm x 330mm x 180mm



DIMENSIONS

Length: 200mm | Width: 330mm | Depth: 180mm

DESCRIPTION

- Contemporary stainless steel handmade sink
- 200mm long x 330mm wide x 180mm deep
- Designed to be undermounted but can be inset
- Features a small bowl, perfect for a bar area
- Modern brushed finish
- No drainer saves bench space
- Supplied with one 90mm basket waste

WARRANTY

25 Year Replacement Warranty / 2 Years Parts & Labour

- Product replacement does not include installation or removal of the original product
- Check product for damage before installation - installing a damaged product voids warranty

IMPORTANT NOTICE

- All stainless steel products are constructed from 304, 18/10 grade stainless steel.
- It is strongly recommended that any cut-outs made to your bench top is made based on the individual product dimensions.
- All pictures and drawings on this brochure are representational only, changes in the product may have occurred since time of print.
- All prices on this brochure and The Sink Warehouse website are subject to change without notice.