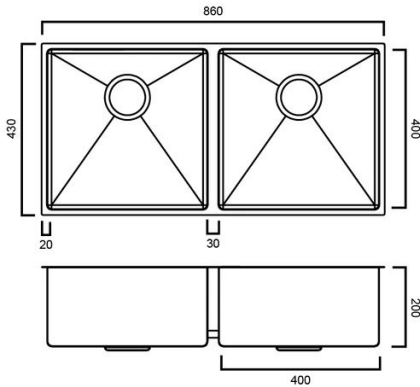




**TECH250U**

**TECH 250U - STAINLESS STEEL UNDERMOUNT SINK**

**TECH250U: 860mm (L) x 430mm (W) x 200mm (H)**



## DIMENSIONS

Length: 860mm | Width: 430mm | Depth: 200mm

## DESCRIPTION

- The Tech 250U is a large, modern, square, double bowl, stainless steel sink
- 860mm long x 430mm wide x 200mm deep
- Constructed from 1.2mm thick, 304, 18 /10 grade stainless steel
- Each sink is individually handmade not machine pressed
- Designed to be installed inset or undermount
- Features two full sized bowls for a high degree of functionality and comfort
- Modern brushed stainless steel Finish
- Supplied with two 90mm basket wastes
- No overflow

## WARRANTY

25 Year Product Replacement Warranty / 2 Year Parts & Labour

- Product replacement does not include installation or removal of the original product
- Check product for damage before installation - installing a damaged product voids warranty

## IMPORTANT NOTICE

- The dimensions of all ceramic products may vary from size guidelines due to material properties and the handmade manufacturing process.
- All pictures and drawings on this brochure are representational only, changes in the product may have occurred since time of print.
- All prices on this brochure and The Sink Warehouse website are subject to change without notice.

To contact The Sink Warehouse email us at [info@sinkwarehouse.com.au](mailto:info@sinkwarehouse.com.au)