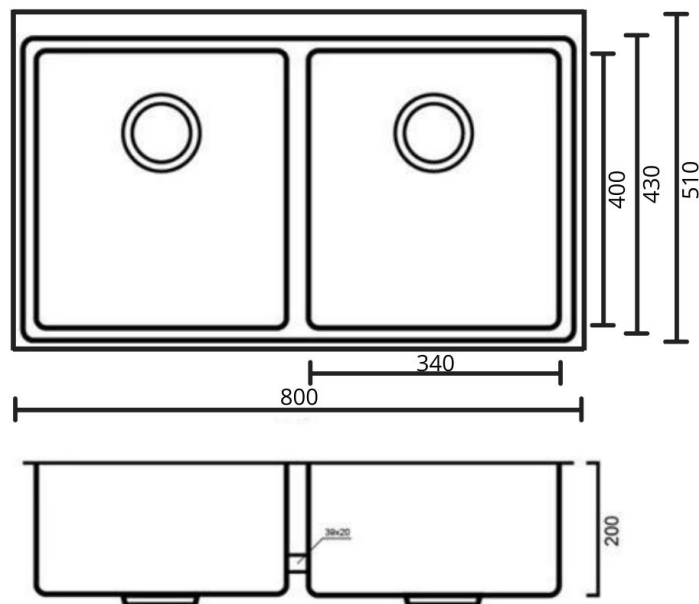


# TECH200ND: TECH 200 NO DRAINER SINK

**TECH200ND: 800 mm (L) 510 mm (W) 200 mm (D)**



## DIMENSIONS

Length: 800mm | Width: 510mm | Depth: 200mm

## DESCRIPTION

- Stainless steel handmade inset sink
- 810mm long x 510mm wide x 200mm deep
- Features two full size bowls without drainer for a high degree of comfort and functionality
- No drainer saves bench space
- Modern brushed finish
- Supplied with two 90mm basket waste
- Tap hole available

## WARRANTY

25 Year Replacement Warranty / 2 Years Parts & Labour

- Product replacement does not include installation or removal of the original product
- Check product for damage before installation - installing a damaged product voids warranty

## IMPORTANT NOTICE

- All stainless steel products are constructed from 304, 18/10 grade stainless steel.
- It is strongly recommended that any cut-outs made to your bench top is made based on the individual product dimensions.
- All pictures and drawings on this brochure are representational only, changes in the product may have occurred since time of print.
- All prices on this brochure and The Sink Warehouse website are subject to change without notice.