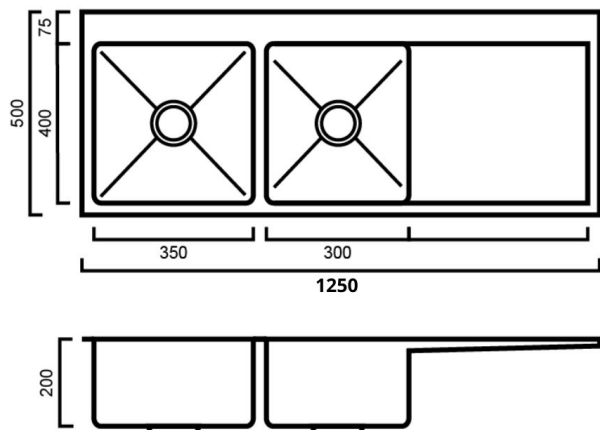


TECH185(L/R) : 1250mm x 500mm x 200mm



DIMENSIONS

Length: 1250mm | Width: 500mm | Depth: 200mm

DESCRIPTION

- The Tech 185 inset sink is one of our newest sinks and we're excited about it for good reason! This double bowl sink with drainer features two large bowls, one slightly smaller than the other awarding an interesting look, whilst maintaining all the functionality of a classic kitchen sink. And not to mention its sophisticated looks with the beautiful brushed stainless Finish and contemporary square design. What's not to love? And with tonnes of optional accessories you can customise this sink to make your kitchen work exactly how you want!
- Handmade with great attention to detail from 304 grade, 18/10 stainless steel
- Unique 1.2mm thick construction making this a very solid sink, created to last
- 1250mm long x 500mm wide x 200mm deep
- Designed as an inset kitchen sink
- Available in left- or right-handed variations - please let us know when ordering
- Comes with tap hole cut and two basket waste plugs included for free
- This Sink works well with our extensive range of Sink Mixers, Our High Gloss Chrome range is best suited but we also have a number of other High Gloss & Brushed Finishes.

WARRANTY

25 Year Replacement Warranty / 2 Years Parts & Labour

- Product replacement does not include installation or removal of the original product
- Check product for damage before installation - installing a damaged product voids warranty

IMPORTANT NOTICE

- All stainless steel products are constructed from 304, 18/10 grade stainless steel.
- It is strongly recommended that any cut-outs made to your bench top is made based on the individual product dimensions.
- All pictures and drawings on this brochure are representational only, changes in the product may have occurred since time of print.
- All prices on this brochure and The Sink Warehouse website are subject to change without notice.

To contact The Sink Warehouse email us at info@sinkwarehouse.com.au