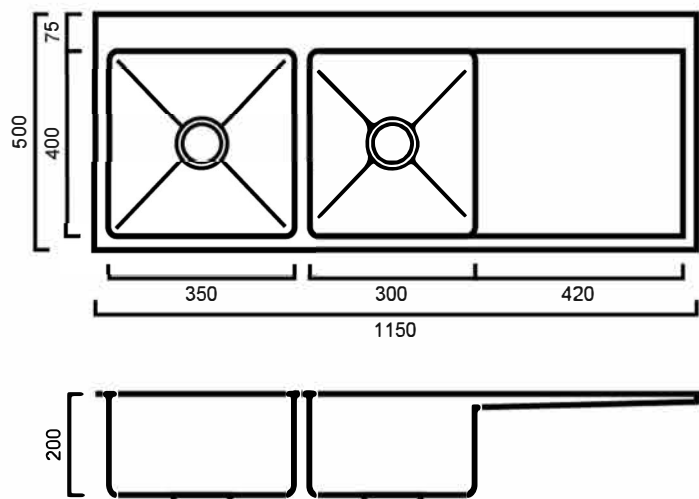


## TECH175(R/L): TECH 175 - INSET SINK

TECH175(R/L): 1150mm x 500mm x 200mm



### DIMENSIONS

Length: 1150mm | Width: 500mm | Depth: 200mm

### DESCRIPTION

- Stainless steel handmade inset sink
- 1150mm long x 500mm wide x 200mm deep
- Features one full size bowl and one 3/4 bowl with drainer for a high degree of comfort and functionality
- Modern brushed finish
- Available in right or left and bowl (Please specify when ordering online)
- Supplied with two 90mm basket waste
- Tap hole is cut for you

### WARRANTY

25 Year Replacement Warranty / 2 Years Parts & Labour

- Product replacement does not include installation or removal of the original product
- Check product for damage before installation - installing a damaged product voids warranty

### IMPORTANT NOTICE

- All stainless steel products are constructed from 304, 18/10 grade stainless steel.
- It is strongly recommended that any cut-outs made to your bench top is made based on the individual product dimensions.
- All pictures and drawings on this brochure are representational only, changes in the product may have occurred since time of print.
- All prices on this brochure and The Sink Warehouse website are subject to change without notice.