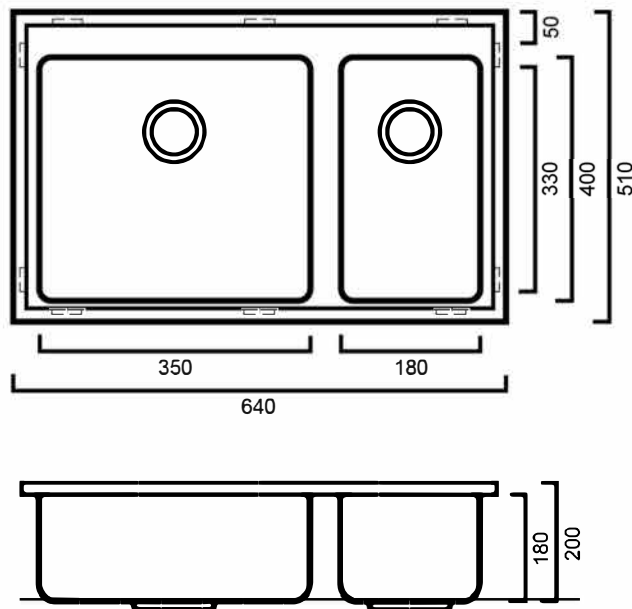


TECH150ND: 640mm x 500mm x 200mm



DIMENSIONS

Length: 640mm | Width: 510mm | Depth: 200mm

DESCRIPTION

- Stainless steel handmade inset sink
- 640mm long x 510mm wide x 200mm deep
- Features one full size bowl and one 1/2 bowl without drainer for a high degree of comfort and functionality
- No drainer saves bench space
- Modern brushed finish
- Supplied with two 90mm basket waste
- Tap hole available

WARRANTY

25 Year Replacement Warranty / 2 Years Parts & Labour

- Product replacement does not include installation or removal of the original product
- Check product for damage before installation - installing a damaged product voids warranty

IMPORTANT NOTICE

- All stainless steel products are constructed from 304, 18/10 grade stainless steel.
- It is strongly recommended that any cut-outs made to your bench top is made based on the individual product dimensions.
- All pictures and drawings on this brochure are representational only, changes in the product may have occurred since time of print.
- All prices on this brochure and The Sink Warehouse website are subject to change without notice.

To contact The Sink Warehouse email us at info@sinkwarehouse.com.au