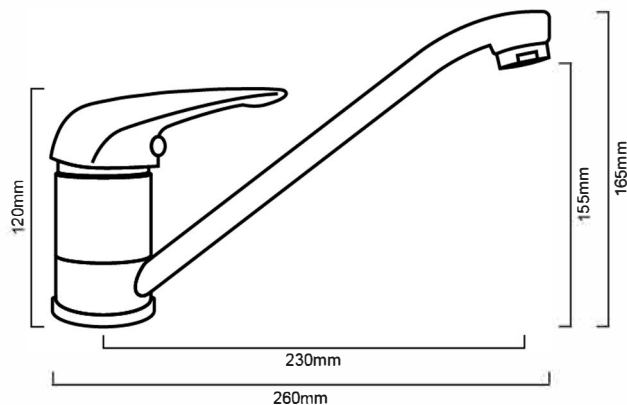


TAQCORSMC:



DESCRIPTION

- Contemporary single lever disabled sink mixer
- Durable ceramic disc cartridge with long lasting technology
- High gloss chrome on brass construction

WELSH

WELS LPM	7.5
WELS Licence Number	0134
WELS Registration Code	T21363
WELS Star Rating	4

WARRANTY

- 10 Year Cartridge Warranty
- 5 Year Replacement Warranty
- 1 Year Parts & labour
- 1 Year on Finishes

- Product replacement does not include installation or removal of the original product
- Check product for damage before installation - installing a damaged product voids warranty

IMPORTANT NOTICE

- It is strongly recommended that any cut-outs made to your bench top is made based on the individual product dimensions.
- All pictures and drawings on this brochure are representational only, changes in the product may have occurred since time of print.
- All prices on this brochure and The Sink Warehouse website are subject to change without notice.