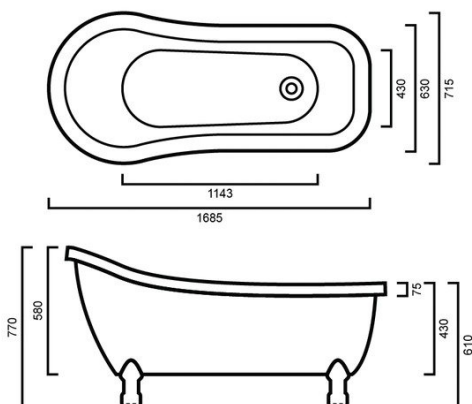


SWSLIPPER1700
SLIPPER - WHITE FREESTANDING BATH 1700

SWSLIPPER1700: 1700mm x 730mm x 770mm



DIMENSIONS

Length: 1700mm | Width: 730mm | HEIGHT : 770mm

DESCRIPTION

- The Slipper is a traditional, round, white, free standing bath
- 1700mm long x 730mm wide x 770mm high
- Also known as a clawfoot bath due to the Slipper's chrome claw feet
- Thin lip edge providing a sleek look whilst still providing a spacious and comfortable bathing experience
- Combine with an elegant floor mounted mixer or wall mounted spout for a modern bathroom design
- Double-ended design
- Made from Lucite™, the best quality acrylic available
- Lucite allows heat to be conserved in the bath for longer time periods
- Center 40mm waste outlet
- Plug and waste is not included in the price of the bath and needs to be purchased additionally

WARRANTY

10 Year Replacement Product Warranty / 1 Years Parts & Labour

- Product replacement does not include installation or removal of the original product
- Check product for damage before installation - installing a damaged product voids warranty

IMPORTANT NOTICE

- The dimensions of all ceramic products may vary from size guidelines due to material properties and the handmade manufacturing process.
- All pictures and drawings on this brochure are representational only, changes in the product may have occurred since time of print.
- All prices on this brochure and The Sink Warehouse website are subject to change without notice.

To contact The Sink Warehouse email us at info@sinkwarehouse.com.au