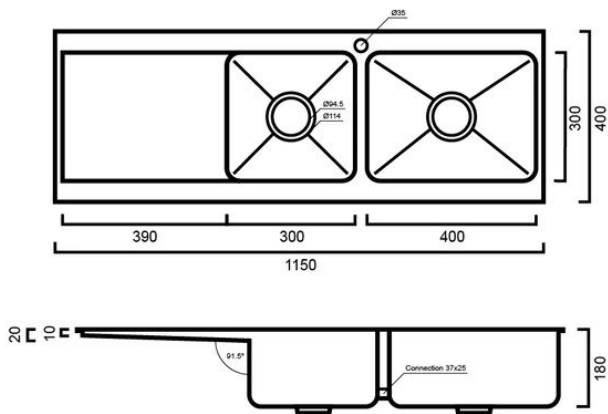


QU175S
QUADRO 175 - SLIMLINE INSET SINK

QU175S: 1150mm x 400mm x 180/180mm



DIMENSIONS

Length: 1150mm | Width: 400mm | Depth : 180mm

DESCRIPTION

- The Quadro 175 is a large, modern, square, double bowl, stainless steel sink with a drainer
- 1150mm long x 400mm wide x 180mm deep • Constructed from 1.2mm thick, 304, 18 /10 grade stainless steel
- Designed to be installed inset
- Features one full sized bowl, one 3 /4 bowl and a drainer for a high degree of functionality and comfort
- Modern brushed stainless steel Finish
- Tap hole available
- Supplied with two 90mm basket wastes
- No overflow
- Manufactured from 304, 18 /10 grade stainless steel

WARRANTY

25 Year Replacement Product Warranty / 2 Years Parts & Labour

- Product replacement does not include installation or removal of the original product
- Check product for damage before installation - installing a damaged product voids warranty

IMPORTANT NOTICE

- The dimensions of all ceramic products may vary from size guidelines due to material properties and the handmade manufacturing process.
- All pictures and drawings on this brochure are representational only, changes in the product may have occurred since time of print.
- All prices on this brochure and The Sink Warehouse website are subject to change without notice.

To contact The Sink Warehouse email us at info@sinkwarehouse.com.au