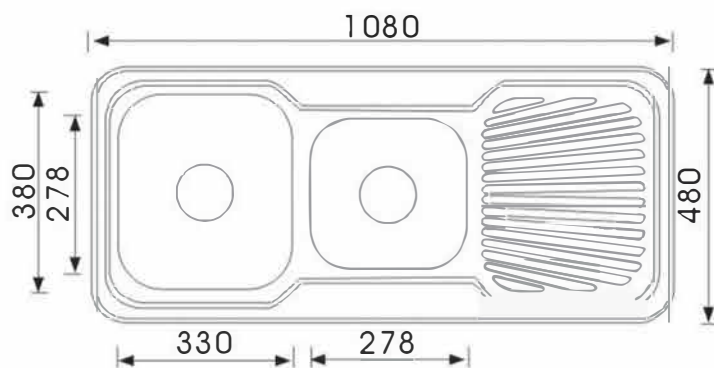


PAC175: PACIFIC 175 - INSET SINK

PAC175: 1080mm x 480mm x 180/160mm



DIMENSIONS

Length: 1080mm | Width: 480mm | Depth: 180/160mm

DESCRIPTION

- Stainless steel inset sink
- 1080mm long x 480mm wide x 180/160mm deep
- Features one full size bowl and one 3/4 bowl with drainer for a high degree of functionality and comfort
- Available in left or right hand bowl (Please specify when ordering)
- Supplied with two 90mm basket wastes
- Comes with tap hole pre-punched

WARRANTY

25 Year Replacement Warranty / 2 Years Parts & Labour

- Product replacement does not include installation or removal of the original product
- Check product for damage before installation - installing a damaged product voids warranty

IMPORTANT NOTICE

- All stainless steel products are constructed from 304 grade stainless steel.
- It is strongly recommended that any cut-outs made to your bench top is made based on the individual product dimensions.
- All pictures and drawings on this brochure are representational only, changes in the product may have occurred since time of print.
- All prices on this brochure and The Sink Warehouse website are subject to change without notice.