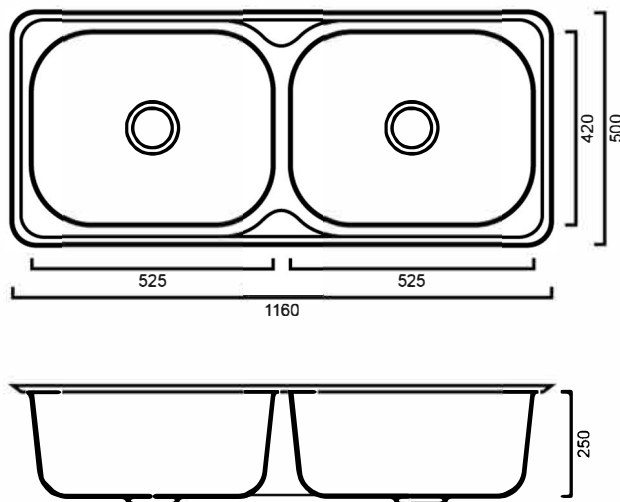


LTLDI: 1160mm x 500mm x 250mm



DIMENSIONS

Length: 1160mm | Width: 500mm | Depth: 250mm

DESCRIPTION

- Stainless steel inset laundry trough
- 1160mm long x 500mm wide x 250mm deep
- Features two large laundry bowls for a high degree of functionality
- No overflow
- Tap hole options: One or none
- Supplied with two 90mm basket wastes
- Manufactured from 304 grade stainless steel

WARRANTY

25 Year Replacement Warranty / 2 Years Parts & Labour

- Product replacement does not include installation or removal of the original product
- Check product for damage before installation - installing a damaged product voids warranty

IMPORTANT NOTICE

- All stainless steel products are constructed from 304 grade stainless steel.
- It is strongly recommended that any cut-outs made to your bench top is made based on the individual product dimensions.
- All pictures and drawings on this brochure are representational only, changes in the product may have occurred since time of print.
- All prices on this brochure and The Sink Warehouse website are subject to change without notice.