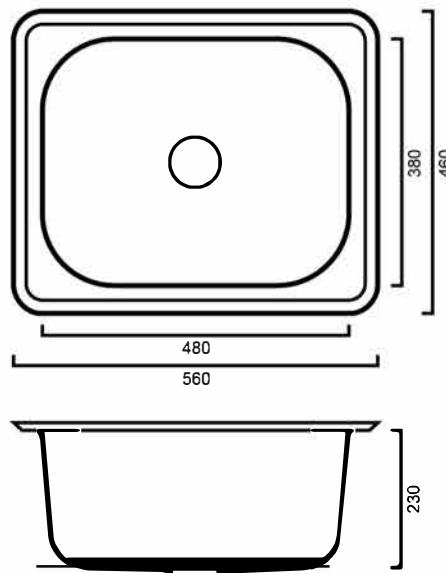


LTIM: MINI - INSET TROUGH 35L

LTIM: 560mm x 460mm x 230mm



DIMENSIONS

Length: 560mm | Width: 460mm | Depth: 230mm

DESCRIPTION

- Stainless steel inset laundry trough
- 560mm long x 460mm wide x 230mm deep
- Water Capacity: 35 Litres
- No overflow
- Supplied with one 90mm basket waste
- Manufactured from 304, 18/10 grade stainless steel

WARRANTY

25 Year Replacement Warranty / 2 Years Parts & Labour

- Product replacement does not include installation or removal of the original product
- Check product for damage before installation - installing a damaged product voids warranty

IMPORTANT NOTICE

- All stainless steel products are constructed from 304, 18/10 grade stainless steel.
- It is strongly recommended that any cut-outs made to your bench top is made based on the individual product dimensions.
- All pictures and drawings on this brochure are representational only, changes in the product may have occurred since time of print.
- All prices on this brochure and The Sink Warehouse website are subject to change without notice.