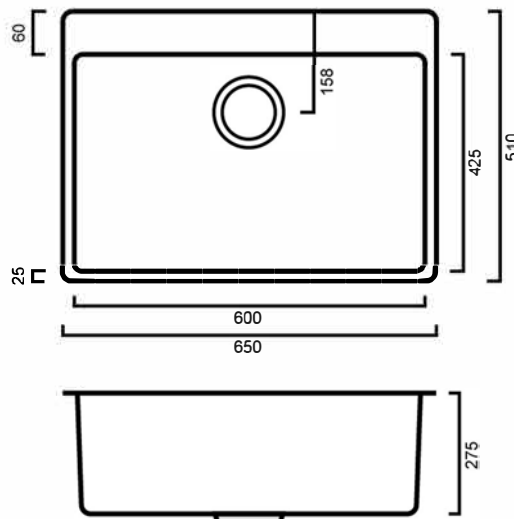


LT70QGM: QUADRO TROUGH GUN METAL 70L



LT70Q: 650mm x 510mm x 275mm



DIMENSIONS

Length: 650mm | Width: 510mm | Depth: 275mm

DESCRIPTION

- Contemporary stainless steel inset laundry trough
- 650mm long x 510mm wide x 275mm deep
- Water Capacity: 70 Litres
- Modern brushed finish
- Designed to be inset but can be undermounted
- No overflow
- Centre tap hole included
- Supplied with one 90mm basket waste
- Manufactured from 304, 18/10 grade stainless steel

Gun Metal Sinks have a Stainless steel construction with PVD Gun Metal Finish. This stylish look is part of our newest flagship sink range giving you a premium look for your kitchen. We're incredibly excited about how they look and we can't wait to see this as the star of your kitchen. Blending style and practicality these have already started flying off our shelves so get in quick.

WARRANTY

25 Year Replacement Warranty / 2 Years Parts & Labour

- Product replacement does not include installation or removal of the original product
- Check product for damage before installation - installing a damaged product voids warranty

IMPORTANT NOTICE

- All stainless steel products are constructed from 304, 18/10 grade stainless steel.
- It is strongly recommended that any cut-outs made to your bench top is made based on the individual product dimensions.
- All pictures and drawings on this brochure are representational only, changes in the product may have occurred since time of print.
- All prices on this brochure and The Sink Warehouse website are subject to change without notice.

To contact The Sink Warehouse email us at info@sinkwarehouse.com.au