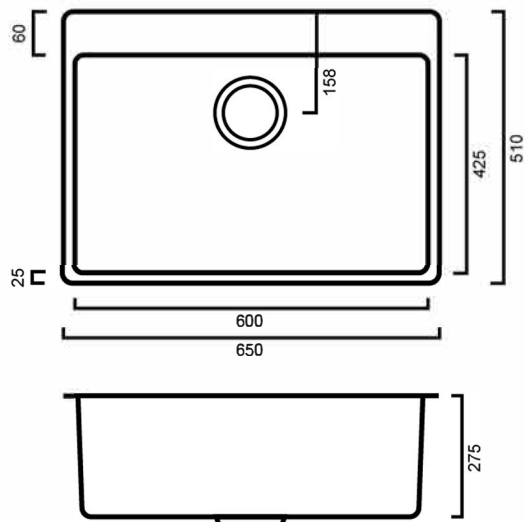


LT70/70Q: QUADRO TROUGH 70/70L

LT70Q: 650mm x 510mm x 275mm



DIMENSIONS

Length: 1285mm | Width: 510mm | Depth: 275mm

DESCRIPTION

- Contemporary stainless steel inset laundry trough
- 1285mm long x 510mm wide x 275mm deep
- Water Capacity: 70 & 70 Litres
- Modern brushed finish
- Double bowl design provides high functionality
- Designed to be inset but can be undermounted
- No overflow
- Centre tap hole included
- Supplied with two 90mm basket wastes
- Manufactured from 304, 18/10 grade stainless steel

WARRANTY

25 Year Replacement Warranty / 2 Years Parts & Labour

- Product replacement does not include installation or removal of the original product
- Check product for damage before installation - installing a damaged product voids warranty

IMPORTANT NOTICE

- All stainless steel products are constructed from 304, 18/10 grade stainless steel.
- It is strongly recommended that any cut-outs made to your bench top is made based on the individual product dimensions.
- All pictures and drawings on this brochure are representational only, changes in the product may have occurred since time of print.
- All prices on this brochure and The Sink Warehouse website are subject to change without notice.