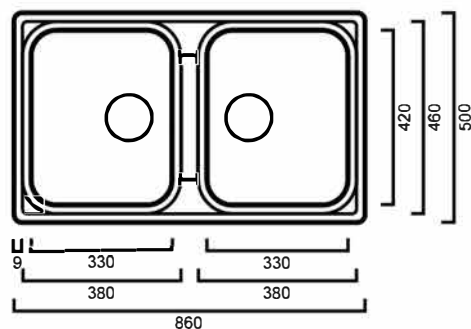


# LEMIS200: BLANCO LEMIS 210 INSET SINK

**BLLEMIS200ND: 860mm x 500mm x 205mm**



## DIMENSIONS

Length: 860mm | Width: 500mm | Depth: 205mm

## DESCRIPTION

- Stainless steel inset sink
- 860mm long x 500mm wide x 205mm deep
- Features two full sized bowls for a high degree of functionality and comfort
- Available in left or right hand bowls
- Supplied with two 90mm basket wastes
- Manufactured from 304, 18/10 grade stainless steel

## WARRANTY

25 Year Structural Warranty / 2 Years Parts & Labour

- Product replacement does not include installation or removal of the original product
- Check product for damage before installation - installing a damaged product voids warranty

## IMPORTANT NOTICE

- It is strongly recommended that any cut-outs made to your bench top is made based on the individual product dimensions.
- All pictures and drawings on this brochure are representational only, changes in the product may have occurred since time of print.
- All stainless steel products are constructed from 304, 18/10 grade stainless steel
- All prices on this brochure and The Sink Warehouse website are subject to change without notice.