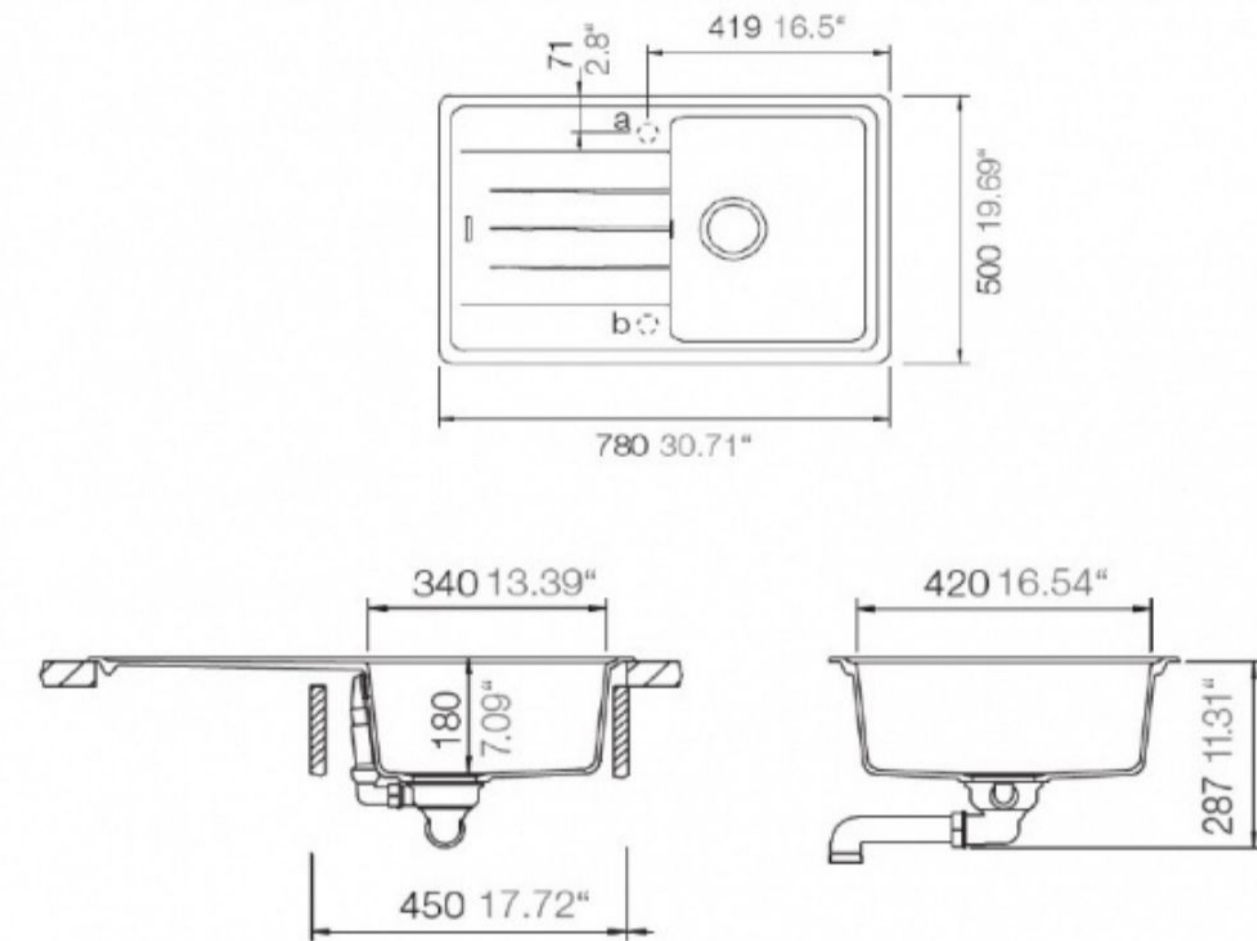


# ESSENCE100: QUARTZ Single Bowl Sink With Drainer

ESSENCE100: 780mm (L) x 180mm (D) x 500MM (W)



## DIMENSIONS

Length: 780mm | Width: 500mm | Depth: 180mm

## DESCRIPTION

- The Hafele is a Single Bowl with Drainer sink with options in onyx black or white quartz construction and finish
- 780mm long x 500mm wide x 180mm deep
- Designed to be installed inset or undermount
- Features one bowl with drainer sink
- Available in onyx black or white colours
- Constructed from Hafele's Premium Quartz sinkware
- Its high quality materials and construction makes it heat resistant, scratch resistant, stain resistant, and impact resistant
- The modern design makes it a more comfortable use for you with its sound proofing capabilities and greater hygiene through bacteria and odour resistance
- Our Essence Sinks come with overflow
- Match your Black Quartz Sink with our Black Sink Mixers to perfect your Kitchen Sink Package
- Match your White Quartz Sink with our High Gloss Chrome Sink Mixers or our Brushed Nickel Sink Mixers to perfect your Kitchen Sink Package

## WARRANTY

10 Year Replacement Warranty / 2 Years Parts & Labour

- Product replacement does not include installation or removal of the original product
- Check product for damage before installation - installing a damaged product voids warranty

## IMPORTANT NOTICE

- It is strongly recommended that any cut-outs made to your bench top is made based on the individual product dimensions.
- All pictures and drawings on this brochure are representational only, changes in the product may have occurred since time of print.
- All prices on this brochure and The Sink Warehouse website are subject to change without notice.

To contact The Sink Warehouse email us at [info@sinkwarehouse.com.au](mailto:info@sinkwarehouse.com.au)