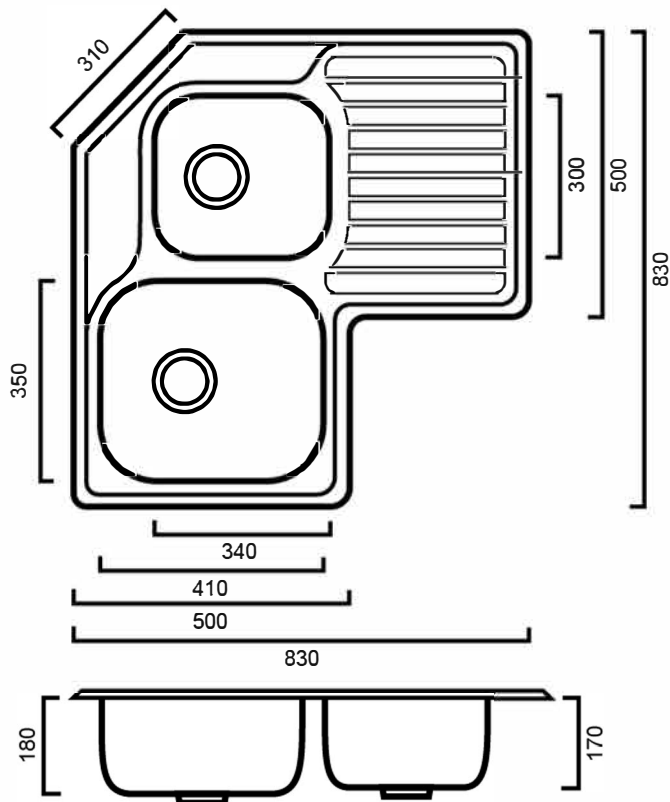


CLCORL: 830mm x 830mm x 180/170mm



DIMENSIONS

Length: 830mm | Width: 830mm | Depth: 180/170mm

DESCRIPTION

- Stainless steel inset sink
- 830mm long x 830mm wide x 180/170mm deep
- Features one full size bowls and one 3/4 bowl with drainer for a high degree of functionality and comfort
- Supplied with two 90mm basket wastes

WARRANTY

25 Year Replacement Warranty / 2 Years Parts & Labour

- Product replacement does not include installation or removal of the original product
- Check product for damage before installation - installing a damaged product voids warranty

IMPORTANT NOTICE

- All stainless steel products are constructed from 304, 18/10 grade stainless steel.
- It is strongly recommended that any cut-outs made to your bench top is made based on the individual product dimensions.
- All pictures and drawings on this brochure are representational only, changes in the product may have occurred since time of print.
- All prices on this brochure and The Sink Warehouse website are subject to change without notice.