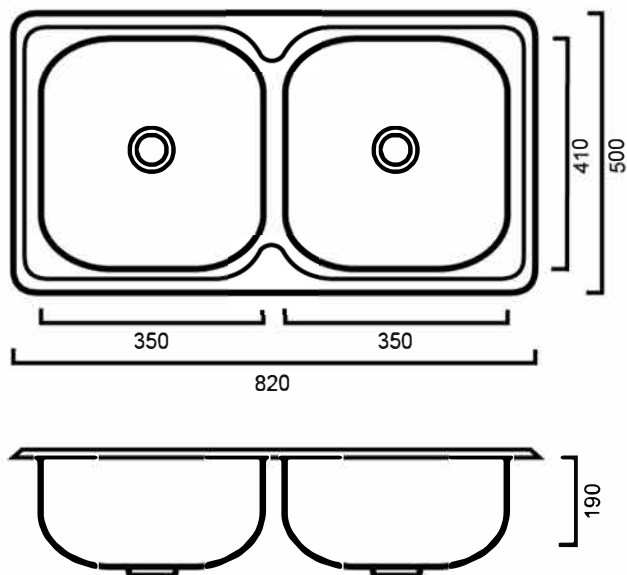


# CL200ND: CLASSIC 200 NO DRAINER SINK

**CL200: 820mm x 500mm x 190/190mm**



## DIMENSIONS

Length: 820mm | Width: 500mm | Depth: 190mm

## DESCRIPTION

- Stainless steel inset sink
- 820mm long x 500mm wide x 190mm deep
- Features two full size bowls
- No drainer saves bench space
- Supplied with two 90mm basket wastes
- Tap hole available

## WARRANTY

25 Year Replacement Warranty / 2 Years Parts & Labour

- Product replacement does not include installation or removal of the original product
- Check product for damage before installation - installing a damaged product voids warranty

## IMPORTANT NOTICE

- All stainless steel products are constructed from 304, 18/10 grade stainless steel.
- It is strongly recommended that any cut-outs made to your bench top is made based on the individual product dimensions.
- All pictures and drawings on this brochure are representational only, changes in the product may have occurred since time of print.
- All prices on this brochure and The Sink Warehouse website are subject to change without notice.