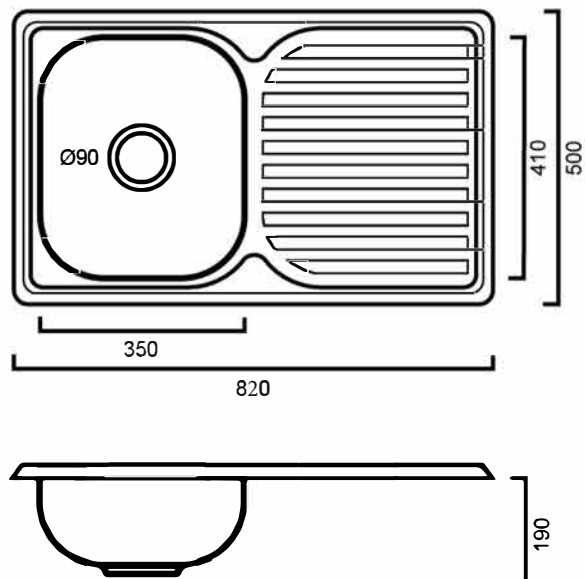


## CL100: CLASSIC 100 - INSET SINK

CL100: 820mm x 500mm x 190mm



### DIMENSIONS

Length: 820mm | Width: 500mm | Depth: 190mm

### DESCRIPTION

- Stainless steel inset sink
- 820mm long x 500mm wide x 190mm deep
- Features one full size bowl with drainer for a high degree of functionality and comfort
- Available in left or right hand bowl (Please specify when ordering)
- Supplied with one 90mm basket wastes
- Tap hole available

### WARRANTY

25 Year Replacement Warranty / 2 Years Parts & Labour

- Product replacement does not include installation or removal of the original product
- Check product for damage before installation - installing a damaged product voids warranty

### IMPORTANT NOTICE

- All stainless steel products are constructed from 304, 18/10 grade stainless steel.
- It is strongly recommended that any cut-outs made to your bench top is made based on the individual product dimensions.
- All pictures and drawings on this brochure are representational only, changes in the product may have occurred since time of print.
- All prices on this brochure and The Sink Warehouse website are subject to change without notice.

To contact The Sink Warehouse email us at [info@sinkwarehouse.com.au](mailto:info@sinkwarehouse.com.au)