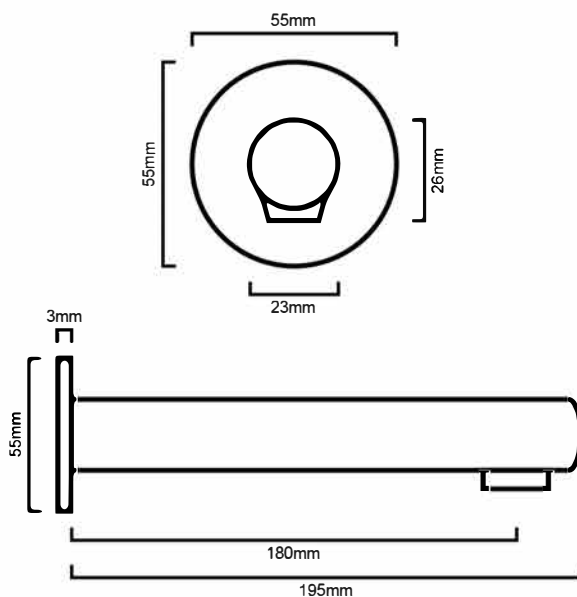




**BSWSOFIA200(B/RG):**



## WARRANTY

1 Year Warranty

- Product replacement does not include installation or removal of the original product
- Check product for damage before installation - installing a damaged product voids warranty

## DESCRIPTION

- Contemporary bath
- Powder coating on brass construction
- All Black Tapware Finishes Are Covered By A 12 Month Warranty Period Only (Black Tapware Will Invariably Chip Over Time)
- Black Tapware Has A Dark Side
- Black tapware is definitely all the rage and very stylish, good looking and extremely adaptable when designing your dream kitchen and bathroom.
- Black tapware does have a dark side which could cloud your dream purchase. You need to be aware that all electroplated black tapware are susceptible to chipping and flaking over time. The finish is only covered by a twelve month warranty even though the tap itself may have a five year warranty and the cartridge inside a 10 year warranty. We recommend a safer alternative is to look at the gun metal range.
- Important Note: Don't use any chemicals to clean your tapware, warm water and a soft cloth or light sponge should do the trick, this however does not mean it will not chip or flake.

## IMPORTANT NOTICE

- It is strongly recommended that any cut-outs made to your bench top is made based on the individual product dimensions.
- The dimensions of all ceramic products may vary from size guidelines due to material properties and the handmade manufacturing process
- All pictures and drawings on this brochure are representational only, changes in the product may have occurred since time of print.
- All prices on this brochure and The Sink Warehouse website are subject to change without notice.

To contact The Sink Warehouse email us at [info@sinkwarehouse.com.au](mailto:info@sinkwarehouse.com.au)