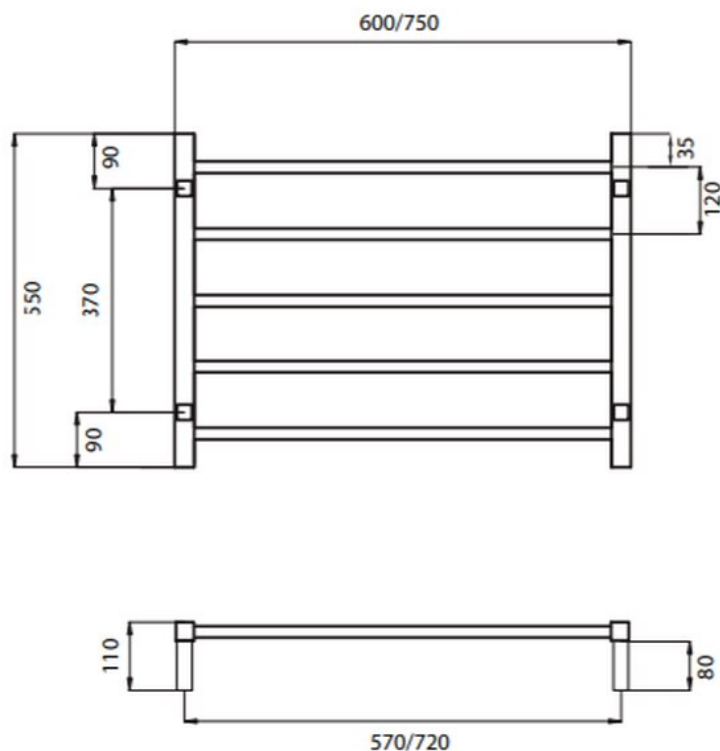


BASLTR03-750
NON - HEATED TOWEL RAIL - SQUARE 5
BAR 750X550MM



DIMENSIONS

Length: 750mm | Width: 110mm | Height : 550mm

DESCRIPTION

- Contemporary non-heated towel rail
- 5 evenly spaced, 19mm diameter horizontal bars, 32mm diameter vertical bars
- 304 grade stainless steel (Coloured rails are made from 201 grade stainless steel)
- Available in a brushed stainless steel

WARRANTY

7 Year Replacement Warranty

- Product replacement does not include installation or removal of the original product
- Check product for damage before installation - installing a damaged product voids warranty

IMPORTANT NOTICE

- The dimensions of all ceramic products may vary from size guidelines due to material properties and the handmade manufacturing process.
- All pictures and drawings on this brochure are representational only, changes in the product may have occurred since time of print.
- All prices on this brochure and The Sink Warehouse website are subject to change without notice.