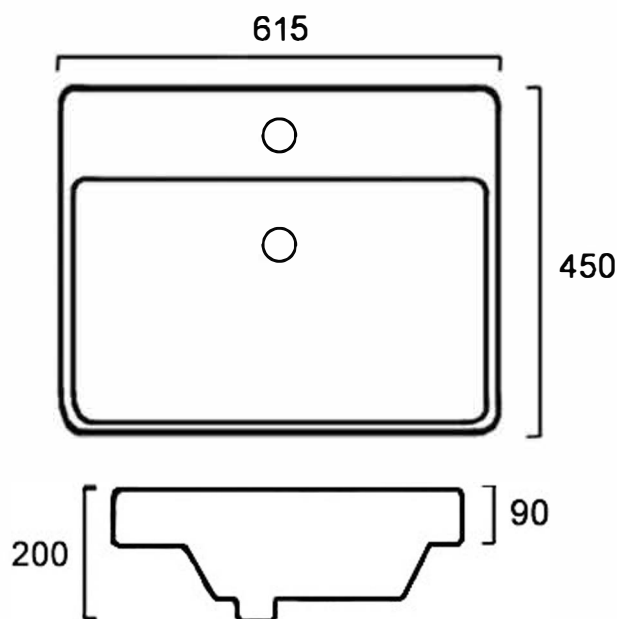


BAQMOD: MOD - HALF INSET BASIN

BAQMOD: 615 x 450 x 200mm



DIMENSIONS

Length: 615mm | Width: 450mm | Depth: 200mm

DESCRIPTION

- The Mod is a contemporary half inset basin
- 615mm length x 450mm width x 200mm depth (+/- 5mm tolerance)
- Constructed from vitreous china
- One tap hole
- With overflow
- 32mm waste outlet
- Tap and waste are not included in the price of the basin and need to be purchased separately

WARRANTY

5 Year Replacement Warranty

- Product replacement does not include installation or removal of the original product
- Check product for damage before installation - installing a damaged product voids warranty

IMPORTANT NOTICE

- The dimensions of all ceramic products may vary from size guidelines due to material properties and the handmade manufacturing process.
- It is strongly recommended that any cut-outs made to your bench top is made based on the individual product dimensions.
- All pictures and drawings on this brochure are representational only, changes in the product may have occurred since time of print.
- All prices on this brochure and The Sink Warehouse website are subject to change without notice.