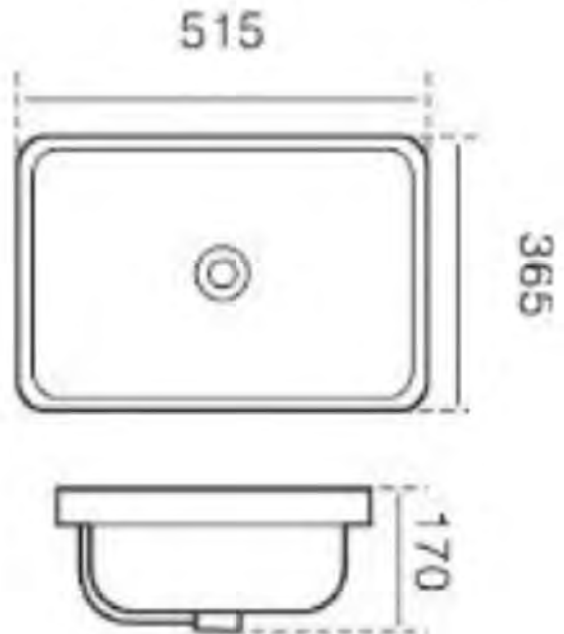


BAQCARLA520 CARLA 520 - INSET BASIN



BAQCARLA520: 515mm (L) x 365mm (W) x 170mm (D)



DIMENSIONS

Length: 520mm | Width: 365mm | Depth: 170mm

DESCRIPTION

- The Carla is a contemporary inset basin
- 520mm length x 365mm width x 170mm depth (+/- 5mm tolerance)
- Constructed from vitreous china
- One tap hole
- With overflow
- 32mm waste outlet
- Tap and waste are not included in the price of the basin and need to be purchased separately

WARRANTY

5 Year Replacement Warranty

- Product replacement does not include installation or removal of the original product
- Check product for damage before installation - installing a damaged product voids warranty

IMPORTANT NOTICE

- The dimensions of all ceramic products may vary from size guidelines due to material properties and the handmade manufacturing process.
- It is strongly recommended that any cut-outs made to your bench top is made based on the individual product dimensions.
- All pictures and drawings on this brochure are representational only, changes in the product may have occurred since time of print.
- All prices on this brochure and The Sink Warehouse website are subject to change without notice.

To contact The Sink Warehouse email us at info@sinkwarehouse.com.au