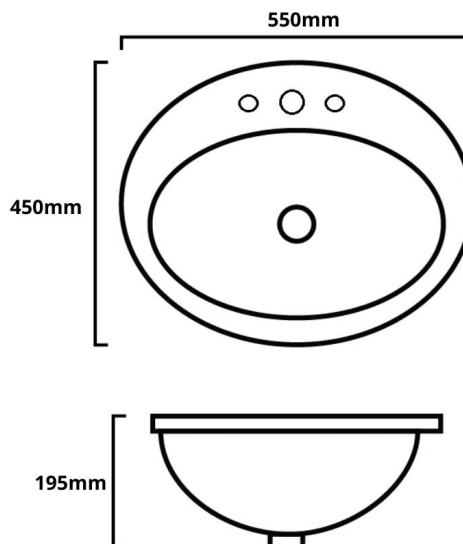


# BAQATLANTIC3: ATLANTIC - INSET BASIN (3 TAP HOLE)

BAQATLANTIC3: 550mm x 450mm x 195mm



## DIMENSIONS

Length: 550mm | Width: 450mm | Depth: 195mm

## DESCRIPTION

- The Atlantic is an oval ceramic inset basin
- 550mm length x 450mm width x 195mm depth (+/- 5mm tolerance)
- Constructed from vitreous china
- Three tap holes
- With overflow
- 32mm waste outlet
- Tap and waste not included in the price of the basin and need to be purchased seperately

## WARRANTY

5 Year Replacement Warranty

- Product replacement does not include installation or removal of the original product
- Check product for damage before installation - installing a damaged product voids warranty

## IMPORTANT NOTICE

- The dimensions of all ceramic products may vary from size guidelines due to material properties and the handmade manufacturing process.
- It is strongly recommended that any cut-outs made to your bench top is made based on the individual product dimensions.
- All pictures and drawings on this brochure are representational only, changes in the product may have occurred since time of print.
- All prices on this brochure and The Sink Warehouse website are subject to change without notice.

To contact The Sink Warehouse email us at [info@sinkwarehouse.com.au](mailto:info@sinkwarehouse.com.au)