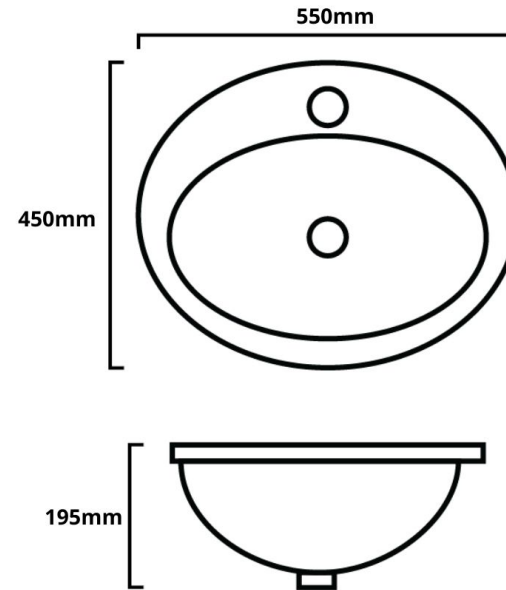


BAQATLANTIC1 : ATLANTIC - INSET BASIN (1 TAP HOLE)

BAQATLANTIC1

BAQATLANTIC1: 550mm x 450mm x 195mm



DIMENSION

550mm length x 450mm width x 195mm depth (+/- 5mm tolerance)

DESCRIPTION

Ceramic inset basin with one tap hole
Vitreous China
32mm waste outlet / with overflow
Tap and waste not included

WARRANTY

5 Year Replacement Warranty
Product replacement does not include installation or removal of the original product. Check product for damage before installation - installing a damaged product voids warranty.

IMPORTANT NOTICE

The dimensions of all ceramic products may vary from size guidelines due to material properties and the handmade manufacturing process. It is strongly recommended that any cut-outs made to your bench top is made based on the individual product dimensions.

All pictures and drawings on this brochure are representational only, changes in the product may have occurred since time of print.

All prices on this brochure and The Sink Warehouse website are subject to change without notice.

To contact The Sink Warehouse email us at info@sinkwarehouse.com.au