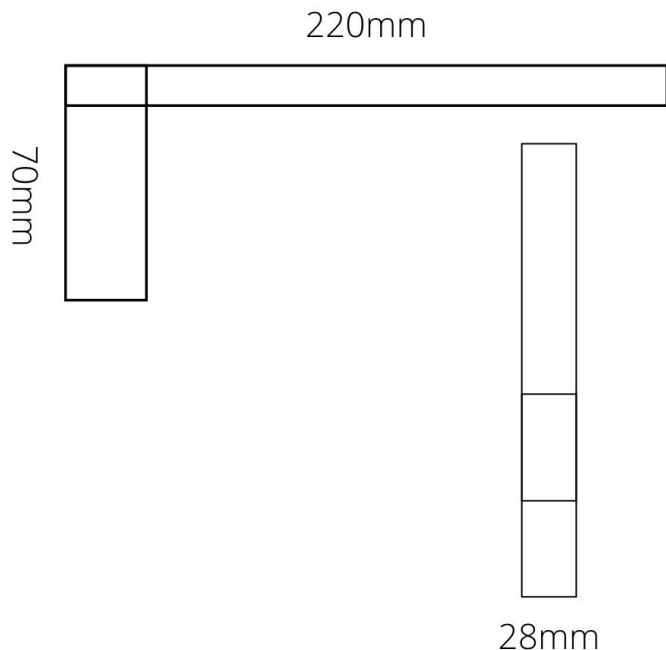
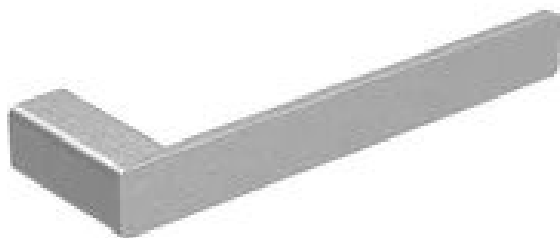




**BAFIOHTHBN**  
**FIONA - BRUSHED NICKEL HAND TOWEL HOLDER**

**BAFIOHTH : 220mm (L) x 28mm (H) x 70mm (W)**



Combine our Fiona bathroom range with our flagship four finishes

### **DIMENSIONS**

Length: 220mm | Width: 70mm | Height : 28mm

### **DESCRIPTION**

- The Fiona Hand towel holder is a modern, bathroom hand towel holder
- 220mm long x 28mm high x 70mm deep
- It is constructed entirely from brass and features a high quality finish
- Weight: 465g
- Wall mounted design - product includes a fixing kit
- Combine with other products from our Fiona bathroom range to help create a sleek, contemporary bathroom design

### **• WARRANTY**

1 Year Replacement Product Warrant

- Product replacement does not include installation or removal of the original product
- Check product for damage before installation - installing a damaged product voids warranty

### **IMPORTANT NOTICE**

- The dimensions of all ceramic products may vary from size guidelines due to material properties and the handmade manufacturing process.
- All pictures and drawings on this brochure are representational only, changes in the product may have occurred since time of print.
- All prices on this brochure and The Sink Warehouse website are subject to change without notice.

To contact The Sink Warehouse email us at [info@sinkwarehouse.com.au](mailto:info@sinkwarehouse.com.au)