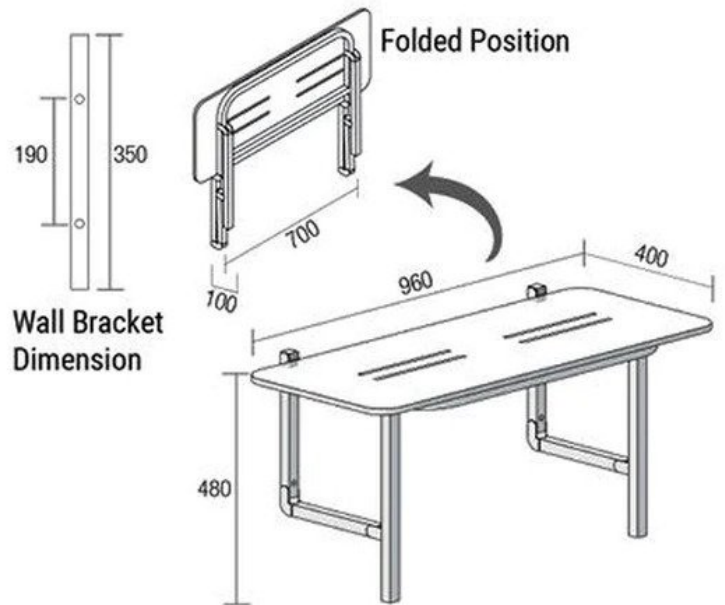


BAAQSS964PS AQUILA - FOLDING SHOWER SEAT



DIMENSIONS

Length: 960mm | Width: 400mm | Height : 480mm

DESCRIPTION

- The Aquila is an assisted living foldable shower seat
- 960mm long x 400mm wide x 480mm high
- Maximum load: 160kg
- Includes fixing kit
- It is constructed from 304, 18 /10 grade stainless steel
- Complies with A5 1428.1-2009 for design and construction of grab rails

WARRANTY

5 Year Replacement Warranty

- Product replacement does not include installation or removal of the original product
- Check product for damage before installation - installing a damaged product voids warranty

IMPORTANT NOTICE

- The dimensions of all ceramic products may vary from size guidelines due to material properties and the handmade manufacturing process.
- All pictures and drawings on this brochure are representational only, changes in the product may have occurred since time of print.
- All prices on this brochure and The Sink Warehouse website are subject to change without notice.

To contact The Sink Warehouse email us at info@sinkwarehouse.com.au