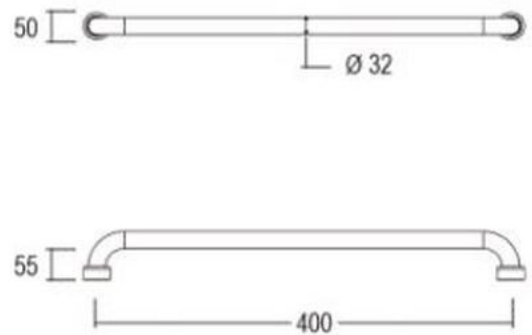




## BAAQGR400 AQUILA- CHROME GRAB RAIL 400MM



### DIMENSIONS

Length: 400mm | Width: 55mm

### DESCRIPTION

- Assisted living grab rail
- 400mm length x 55mm depth
- 32mm diameter
- Includes fixing kit
- 304 grade stainless steel
- Complies with clause 17 of A5 1428.1-2009 for design and construction of grab rails

### WARRANTY

5 Year Replacement Warranty

- Product replacement does not include installation or removal of the original product
- Check product for damage before installation - installing a damaged product voids warranty

### IMPORTANT NOTICE

- The dimensions of all ceramic products may vary from size guidelines due to material properties and the handmade manufacturing process.
- All pictures and drawings on this brochure are representational only, changes in the product may have occurred since time of print.
- All prices on this brochure and The Sink Warehouse website are subject to change without notice.

To contact The Sink Warehouse email us at [info@sinkwarehouse.com.au](mailto:info@sinkwarehouse.com.au)