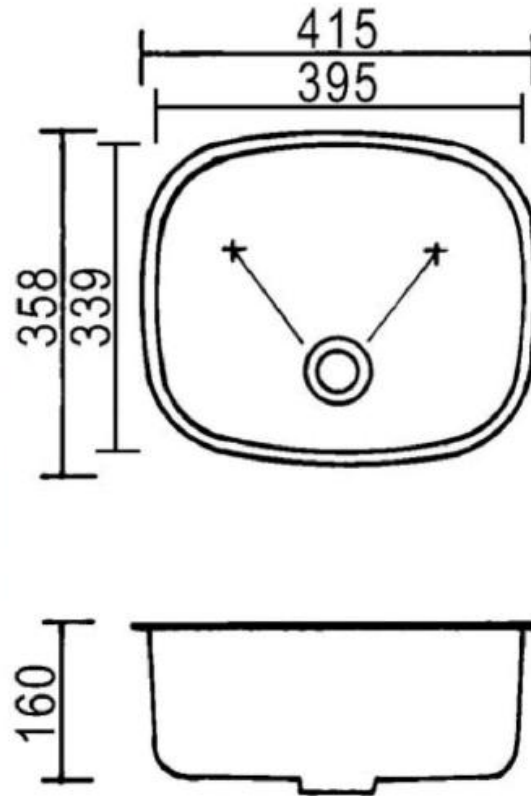


UNIVERSAL BOWL 16



415 x 358 x 160mm

Designed To Be Inset or Under-Mounted

Supplied With 50mm Basket

Constructed From 304 18/10 Grade Stainless Steel

Supported By 25 Year Warranty

All Accessories Are Optional

Product Code: UB16

PLEASE NOTE:

ALL PRICES ON THIS BROCHURE & SINKWAREHOUSE WEBSITE SUBJECT TO CHANGE WITHOUT NOTICE

ALL PICTURES & DRAWINGS ON THIS BROCHURE ARE REPRESENTATIONAL ONLY, CHANGES IN THE PRODUCT MAY HAVE OCCURRED SINCE THE TIME OF PRINT

ALL STAINLESS STEEL PRODUCTS PICTURED IN THIS BROCHURE ARE 304 GRADE



**OSBORNE PARK SUPER
STORE -
16 King Edward Road**

**Phone: (08) 9244 4486
Fax: (08) 9446 6877**

**Mandurah -
Unit 113, Fitzgerald Road
Greenfields
Phone: (08) 9583 3900
Fax: (08) 9583 3911**

**Caning Vale - Unit 2/165
Bannister Road**

**Phone: (08) 9456 2299
Fax: (08) 9456 3599**

**Midvale -
6 Elliott Street (Facing Gt
Eastern Hwy)
Phone: (08) 9274 8677
Fax: (08) 9274 8577**

**Myaree -
Unit 2/9 Carr Place**

**Phone: (08) 9330 1500
Fax: (08) 9317 3700**

www.sinkwarehouse.com.au