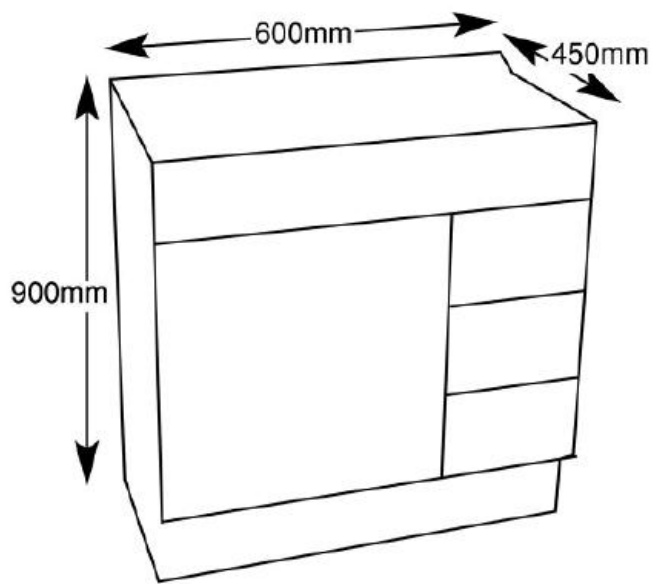




## AURORA 600 ENSUITE SOLID DOORS & KICKER



- Chrome plated bow handles
- Cabinet constructed from HMR board (High Moisture Resistant)
- Poly marble vanity top
- 1 or 3 Tap holes
- Foil wrapped white gloss finish

**Product Code: VA600E**

**PLEASE NOTE:**

**ALL PRICES ON THIS BROCHURE & SINKWAREHOUSE WEBSITE SUBJECT TO CHANGE WITHOUT NOTICE**

**ALL PICTURES & DRAWINGS ON THIS BROCHURE ARE REPRESENTATIONAL ONLY, CHANGES IN THE PRODUCT MAY HAVE OCCURRED SINCE THE TIME OF PRINT**

**ALL STAINLESS STEEL PRODUCTS PICTURED IN THIS BROCHURE ARE 304 GRADE**



**OSBORNE PARK SUPER STORE -**  
16 King Edward Road

Phone: (08) 9244 4486  
Fax: (08) 9446 6877

**Mandurah -**  
Unit 113, Fitzgerald Road  
Greenfields  
Phone: (08) 9583 3900  
Fax: (08) 9583 3911

**Caning Vale - Unit 2/165**  
Bannister Road

Phone: (08) 9456 2299  
Fax: (08) 9456 3599

**Midvale -**  
6 Elliott Street (Facing Gt  
Eastern Hwy)  
Phone: (08) 9274 8677  
Fax: (08) 9274 8577

**Myaree -**  
Unit 2/9 Carr Place

Phone: (08) 9330 1500  
Fax: (08) 9317 3700