



## ATLANTIC BAR SINK



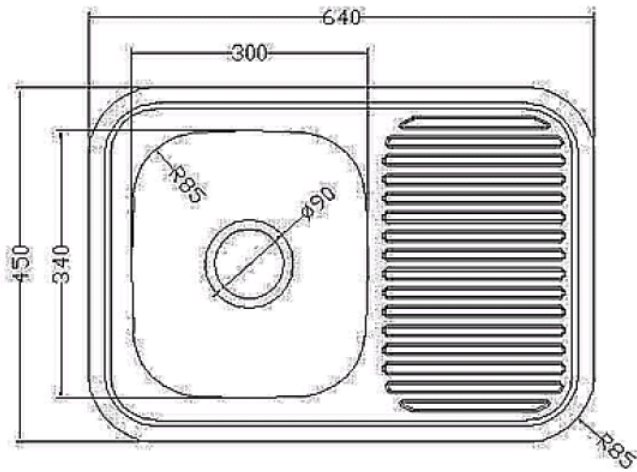
Left or Right Hand Bowl

Supplied With 90mm Basket Waste

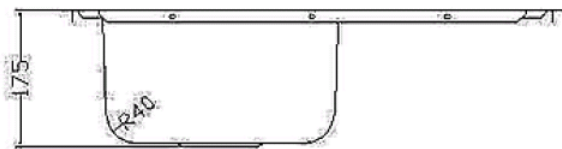
Tap Holes One or None

Manufactured From 18/10 Grade  
Stainless Steel

Supported By 25 Year Warranty



PRODUCT CODE: ATL640



**PLEASE NOTE:**

**ALL PRICES ON THIS BROCHURE & SINKWAREHOUSE WEBSITE SUBJECT TO CHANGE WITHOUT NOTICE**

**ALL PICTURES & DRAWINGS ON THIS BROCHURE ARE REPRESENTATIONAL ONLY, CHANGES IN THE PRODUCT MAY HAVE OCCURRED SINCE THE TIME OF PRINT**

**ALL STAINLESS STEEL PRODUCTS PICTURED IN THIS BROCHURE ARE 304 GRADE**



**OSBORNE PARK SUPER STORE -**

16 King Edward Road  
Phone: (08) 9244 4486  
Fax: (08) 9446 6877

**Mandurah -**  
Unit 113, Fitzgerald Road  
Greenfields  
Phone: (08) 9583 3900  
Fax: (08) 9583 3911

**Canning Vale -**  
Unit 2/165 Bannister Rd  
Phone: (08) 9456 2299  
Fax: (08) 9456 3599

**Midvale -**  
6 Elliott Street (facing Gt Eastern Hwy)  
Phone: (08) 9274 8677  
Fax: (08) 9274 8577

**Myaree -**  
Unit 2/9 Carr Place  
Phone: (08) 9330 1500  
Fax: (08) 9317 3700

[www.sinkwarehouse.com.au](http://www.sinkwarehouse.com.au)